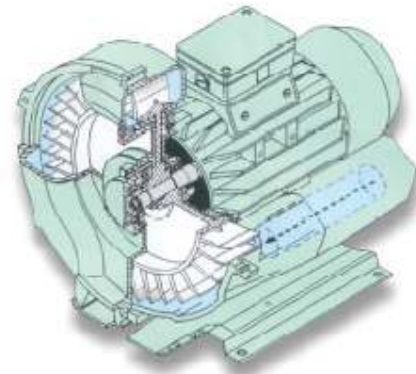


Tru-Vac Dry Vacuum Systems!

SIERRA DENTAL PRODUCTS, INC.
P.O. Box 97 • Homosassa Springs • FL, 34447
(352)613-7200 • Fax: (352)621-6979

dentalproducts.com



Sierra 
Dental Products, Inc.

Due to our **Exclusive Two Stage Impeller Design** the TV-10 System is the Only Single Pump that will handle up to 10 ops.

Sierra Dental Products has been Manufacturing Quality Dry Vacuum Systems since 1993.



TV-10



Vortex Action Separator

Features & Benefits

- Two Stage Impeller = Twice the Vacuum
- Highest Horsepower = More Vacuum
- No Vane, Oil, or Belts = No Maintenance
- Quiet Operation 65db
- Exclusive Vortex Action Separator (VAS) = No Vacuum Trap
- Stackable Design = Small Footprint
- Auto Washdown (optional) = Keeps Separator Tank Clean

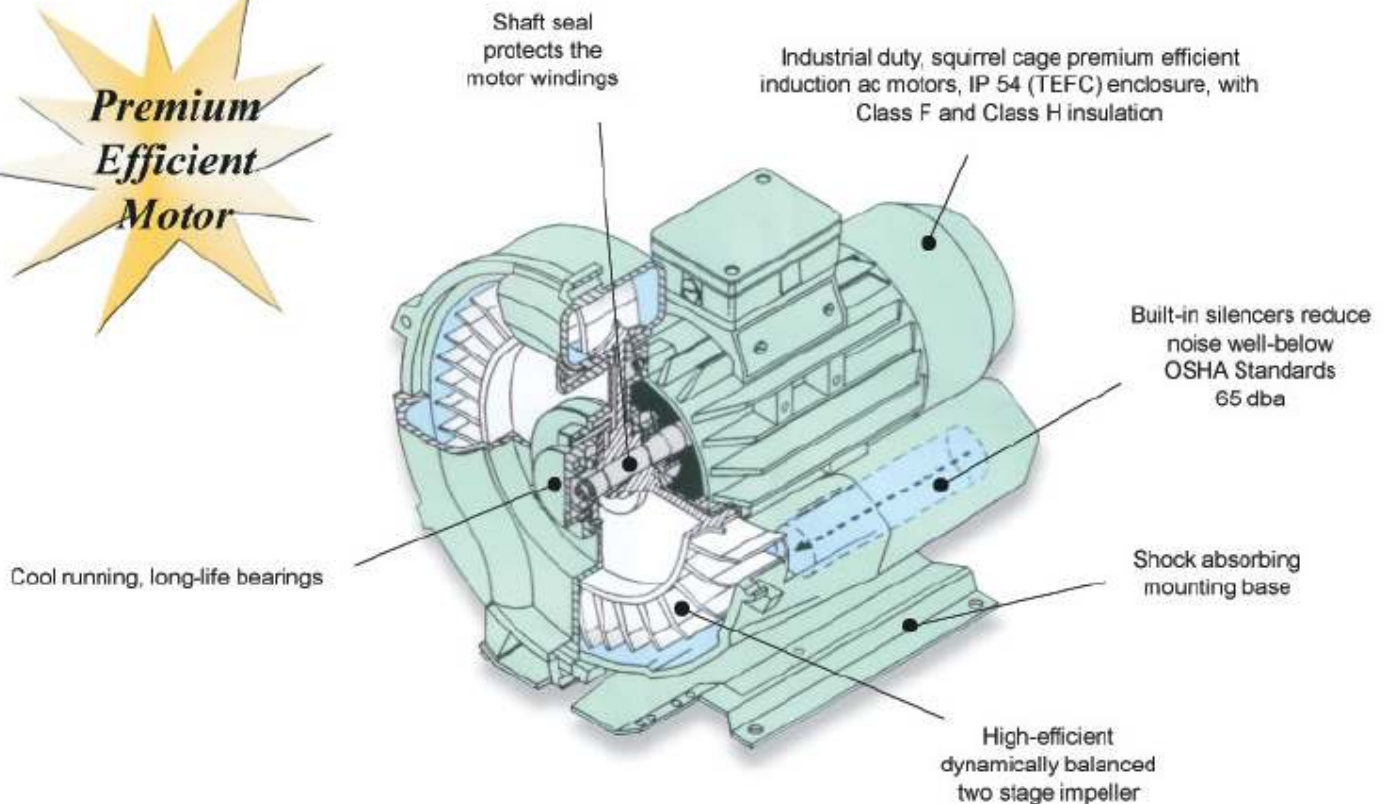


TV-3



TV Systems





Sizing Guide for Single Tru-Vac Pumps

Maximum Number of Simultaneous Users (Double for Dual Systems*)

Model	HVE + SE	HVE + SE	HVE + SE	HVE + SE	HVE + SE	HVE + SE	HVE + SE
TV-3	3 + 0	2 + 2	1 + 4	0 + 6			
TV-5	5 + 0	4 + 2	3 + 4	2 + 6	1 + 8	0 + 10	
TV-10	10 + 0	9 + 2	8 + 4	7 + 6	6 + 8	5 + 10	4 + 12

*Call for technical data and pricing on single, dual or custom units up to 120 users

TV-10 Specifications

- Voltage 230 VAC
- Frequency Hz 50 - 60
- Output H.P. 2
- Current Amps 11
- Free Delivery (CFM) 70
- Vacuum In. Hg. 16" max
10" continuous
- Weight (lbs.) 97
- Width (inches) 16
- Length (inches) 20
- Height (inches) 16
- Tank (gallons) 16
- Includes: Low voltage control, separator tank and check valve
- Automatic washout system optional
- Other tank sizes available